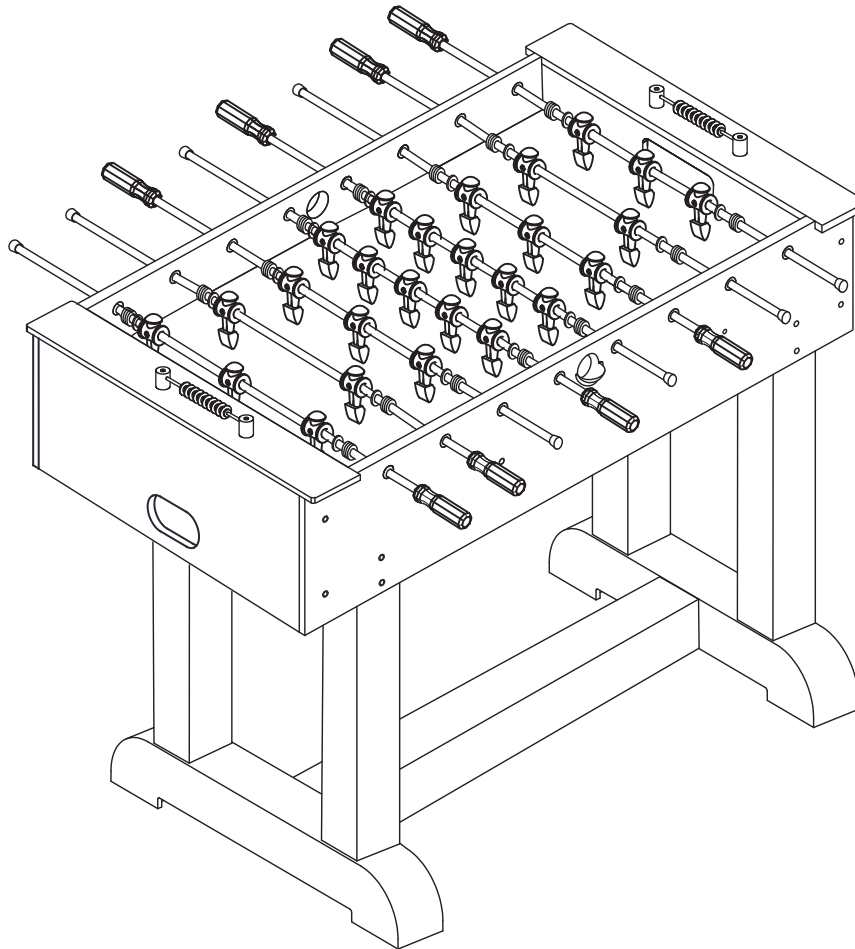




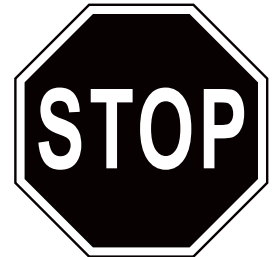
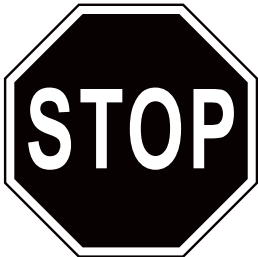
KICK Brigade 55"
(Brown/Black)
FOOSBALL TABLE
ASSEMBLY INSTRUCTIONS



FY501

Assembly Instructions

WARNING: TWO ADULTS ARE NEEDED TO ASSEMBLE THE SOCCER TABLE



Official Website of KICK Foosball Tables



IF YOUR TABLE HAS DAMAGES, MISSING PARTS, OR YOU ARE NOT **100%** SATISFIED PLEASE CONTACT **KICK, NOT THE RESELLER.**

← SCAN THIS QR CODE TO CONTACT US IF YOU FACE ANY ISSUES.

FOR THE LATEST INSTRUCTION MANUALS, VIDEOS, TABLE ASSEMBLY INFO, DIFFERENT GOALIE SETUPS, PLAYER TYPES, AND OTHER HELPFUL TIPS - PLEASE VISIT THE LINK BELOW OR SCAN THIS QR CODE →

www.KICKFoosballTables.com/Instructions/



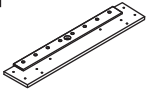
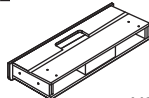
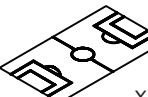



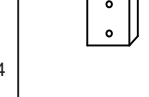







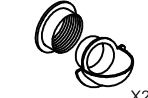

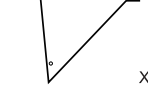




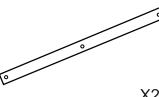
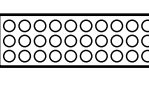
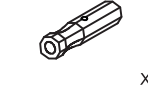










CONTACT INFORMATION:

Email: Support@KICKFoosballTables.com
Website: www.KICKFoosballTables.com
Phone: 1 (866) 844-KICK (5425) or (210) 664-8934






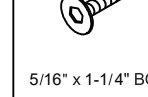
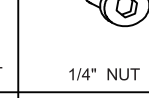

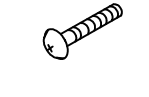


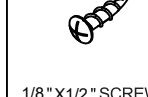
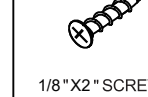
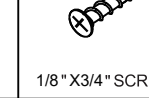
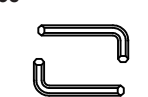

MAILING ADDRESS:

KICK Sports
PO Box 790311
San Antonio, Texas 78279

PARTS LIST

1  X2 SIDE PANEL	2  X2 END PANEL	3  X1 PLAYFIELD	4  X2 LEG BASE BOARD	5  X1 CROSS BAR	6  X4 LEG	7  X4 STIFFENING LEG BLOCK
8  X3 SUPPORT BRACE	9  X3 SUPPORT ROD	10  X2 SLIDE SCORER	11  X4 LEG LEVELER	12A  X2 SOCCER BALL	12B  X2 SOCCER BALL	12C  X2 SOCCER BALL
13  X2 BALL ENTRY CUP	14  X4 STOP RING	1a  X2 TRIANGLE a	1b  X2 TRIANGLE b	2a  X2 L STYLE PLASTIC a	2b  X2 L STYLE PLASTIC b	3a  X2 LONG PLASTIC a
3b  X2 LONG PLASTIC b	P13 1 SET  SCREW COVERS (to cover the hole of the screws S1)	15  X8 ROD HANDLE	16  X8 ROD END CAP	17  X16 ROD BUMPER	18  X16 ROD WASHER	22a  X13 PLAYER
22b  X13 PLAYER	22c  X13 PLAYER	22d  X13 PLAYER	23  X4 3 PLAYER ROD	24  X2 2 PLAYER ROD	25  X2 5 PLAYER ROD	

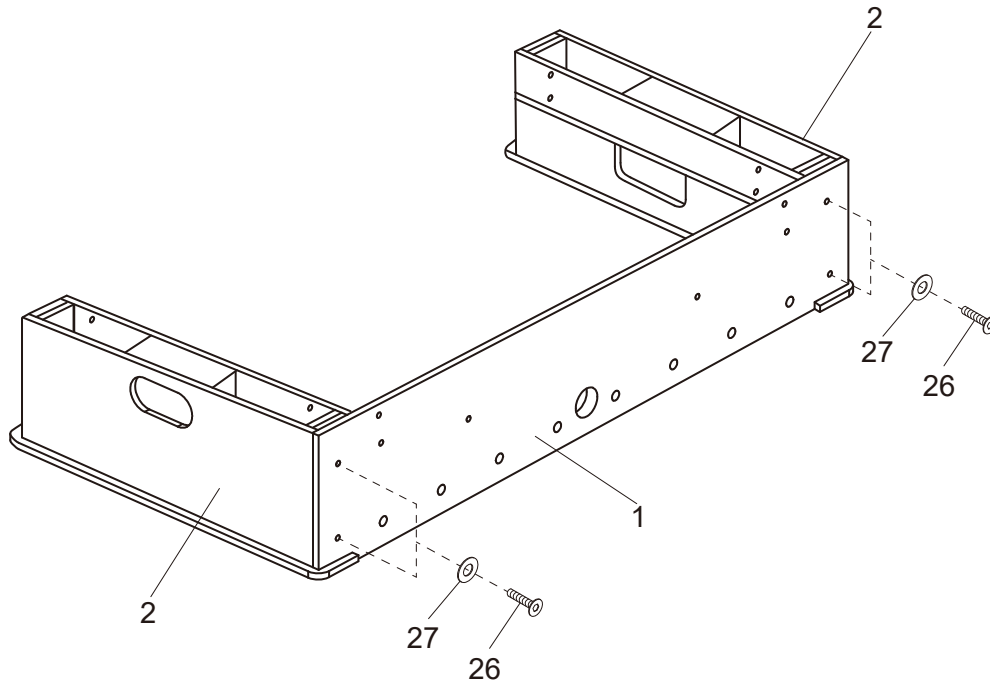
HARDWARE

26 X12  1/4" x 1-3/4" BOLT	27 X28  1/4" WASHER	28 X8  5/16" x 3" BOLT	29 X16  5/16" WASHER	30 X16  1/4" x 1-1/4" BOLT	31 X8  5/16" x 1-1/4" BOLT	32 X6  1/4" NUT
33a X26  5/32" x 1-1/8" BOLT	33b X26  5/32" x 1-1/8" BOLT	34a X26  5/32" NUT	34b X26  5/32" NUT	35 X2  1/8" x 1/2" SCREWS	36 X4  1/8" x 2" SCREWS	37 X8  1/8" x 3/4" SCREWS
38 X2  ALLEN WRENCH	S1 X36  1/2" FLAT HEAD SCREWS					

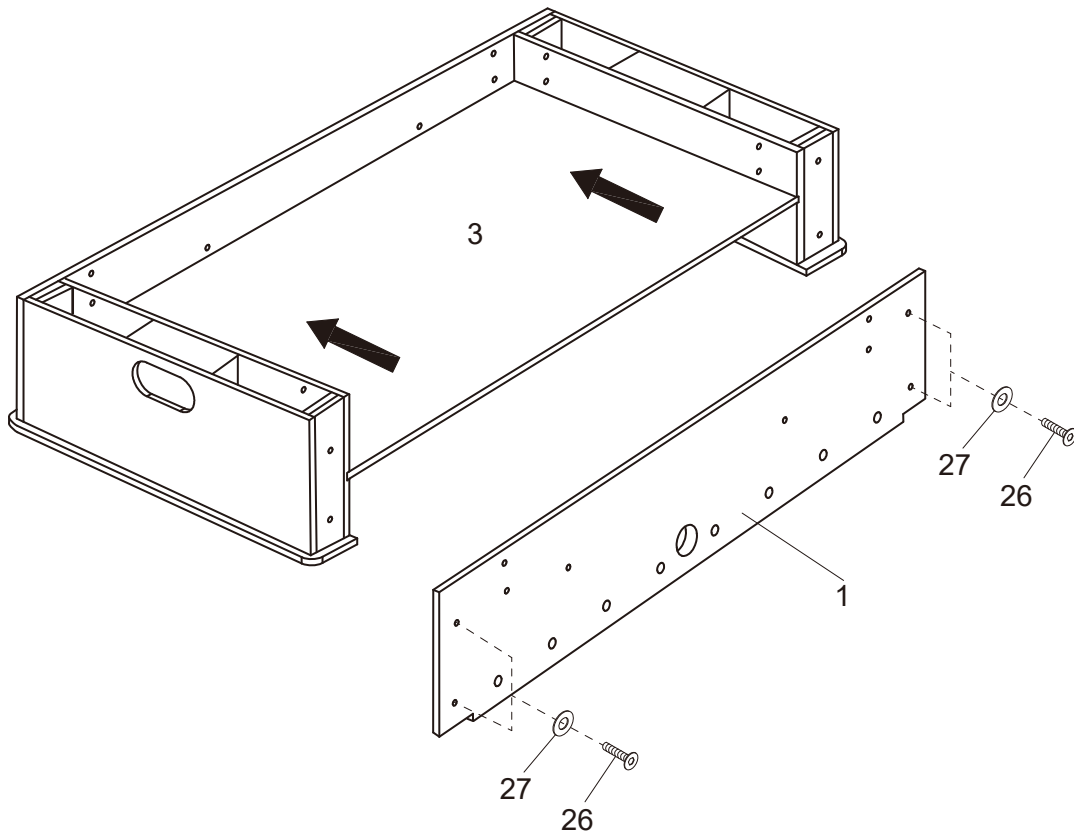
Assembly Instructions

WARNING: TWO ADULTS ARE NEEDED TO ASSEMBLE THE SOCCER TABLE

STEP 1



STEP 2

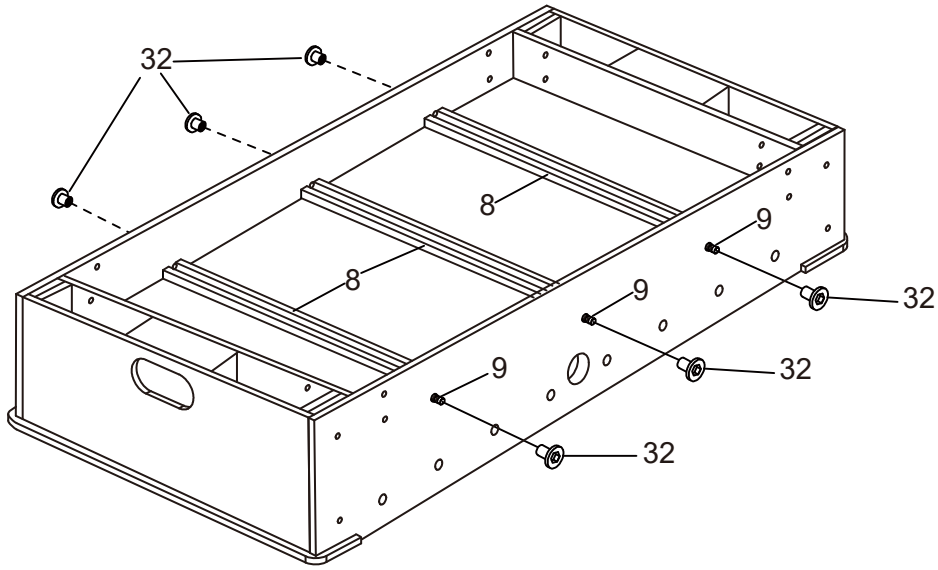


3

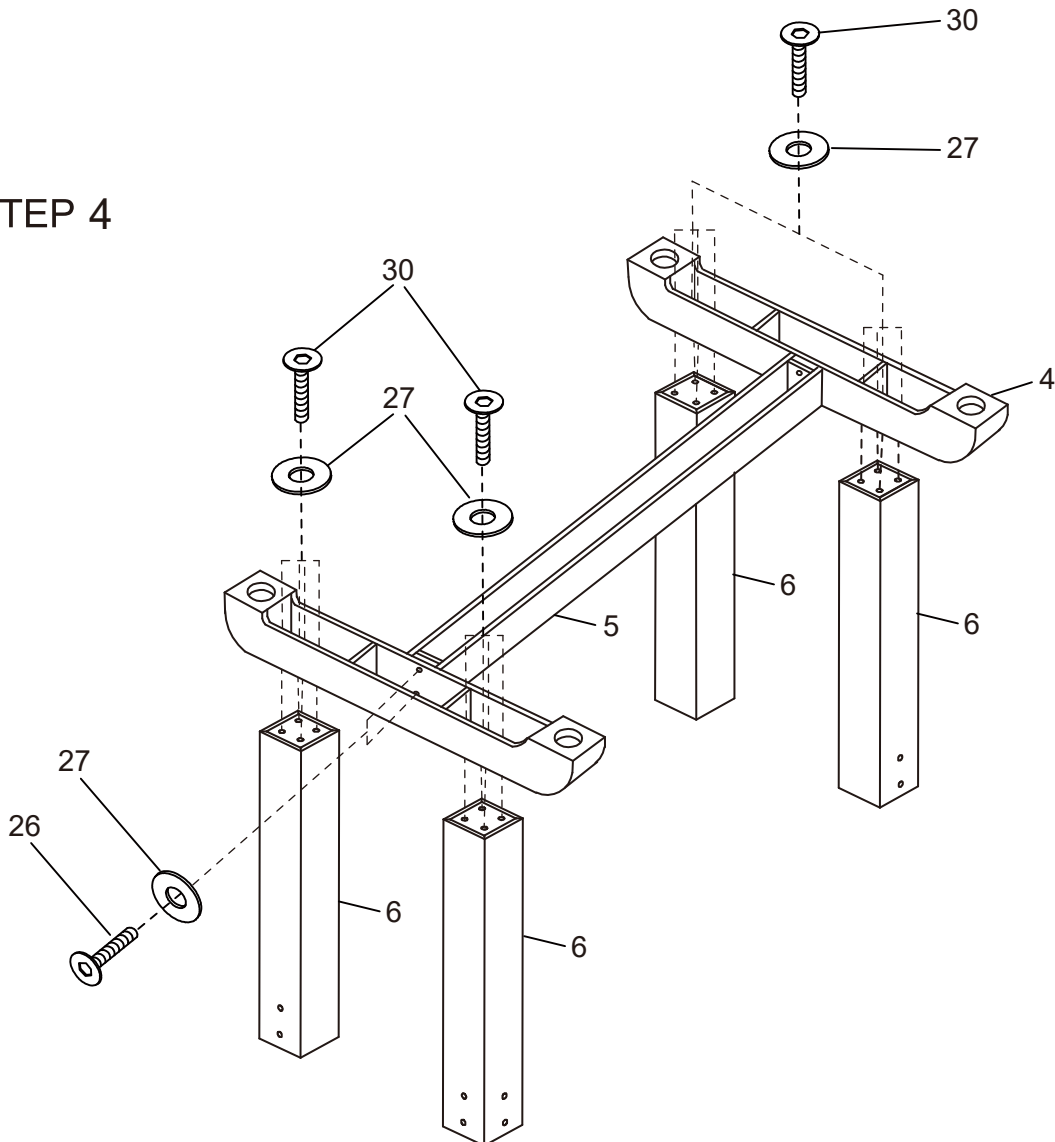
Assembly Instructions

WARNING: TWO ADULTS ARE NEEDED TO ASSEMBLE THE SOCCER TABLE

STEP 3



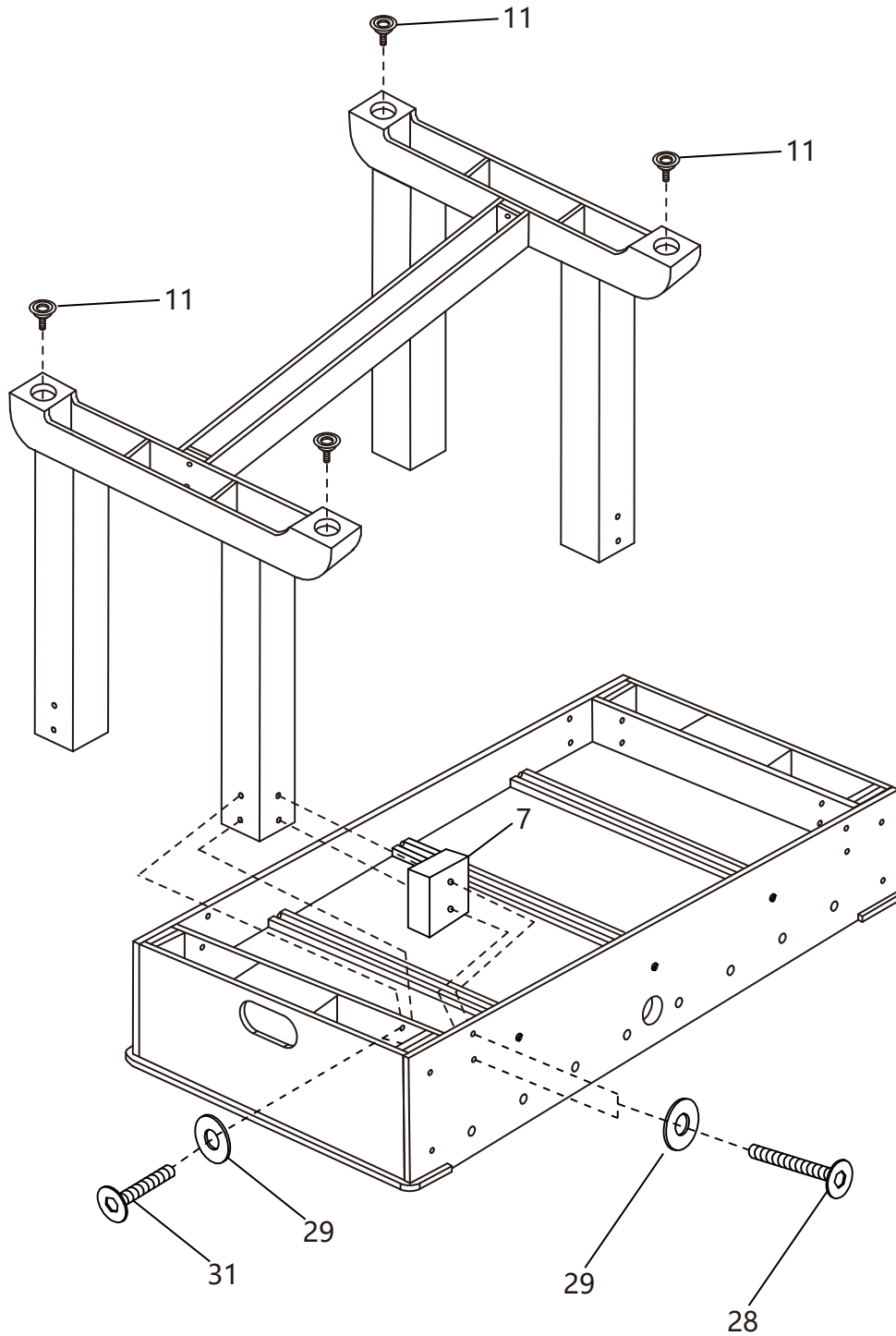
STEP 4



Assembly Instructions

WARNING: TWO ADULTS ARE NEEDED TO ASSEMBLE THE SOCCER TABLE

STEP 5

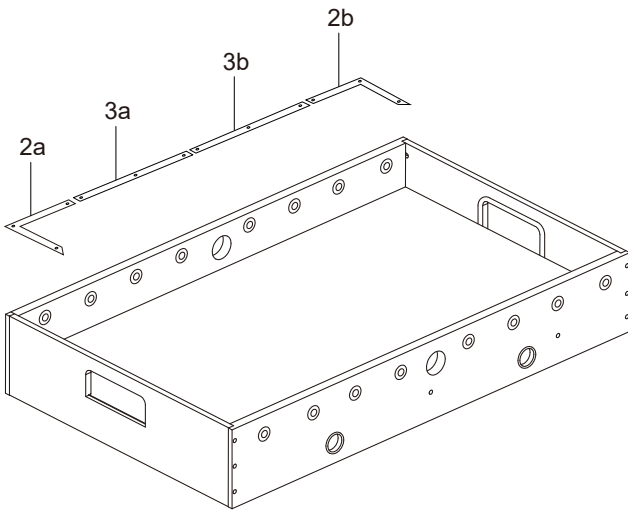


Assembly Instructions

WARNING: TWO ADULTS ARE NEEDED TO ASSEMBLE THE SOCCER TABLE

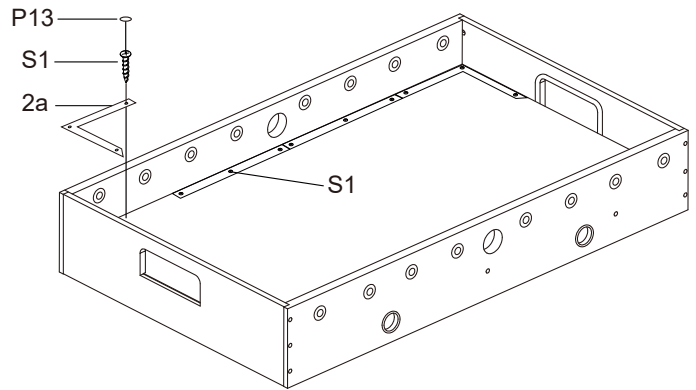
STEP 6A

Steps 6A to 6E are optional if you want.



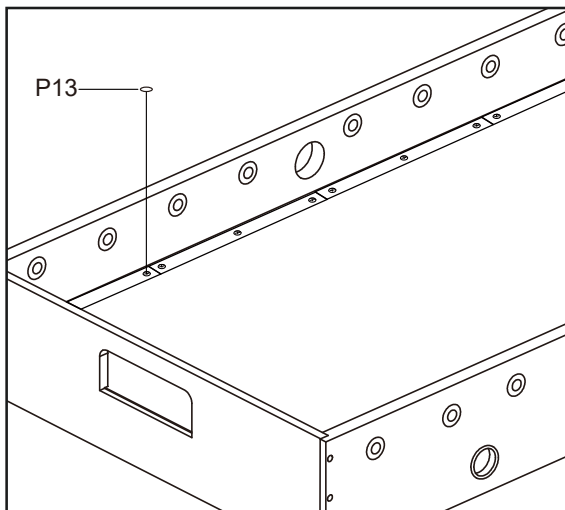
STEP 6B

Attach the plastic 2a, 2b, 3a, 3b to the playing field with S1.

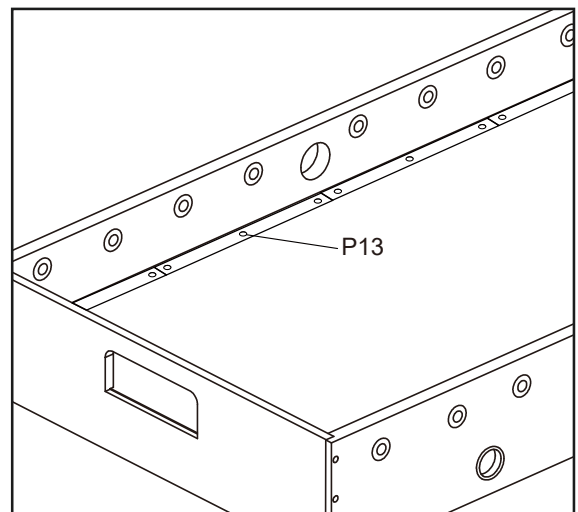


STEP 6C

Cover the Screw Hole Cap P13 to the screw hole.



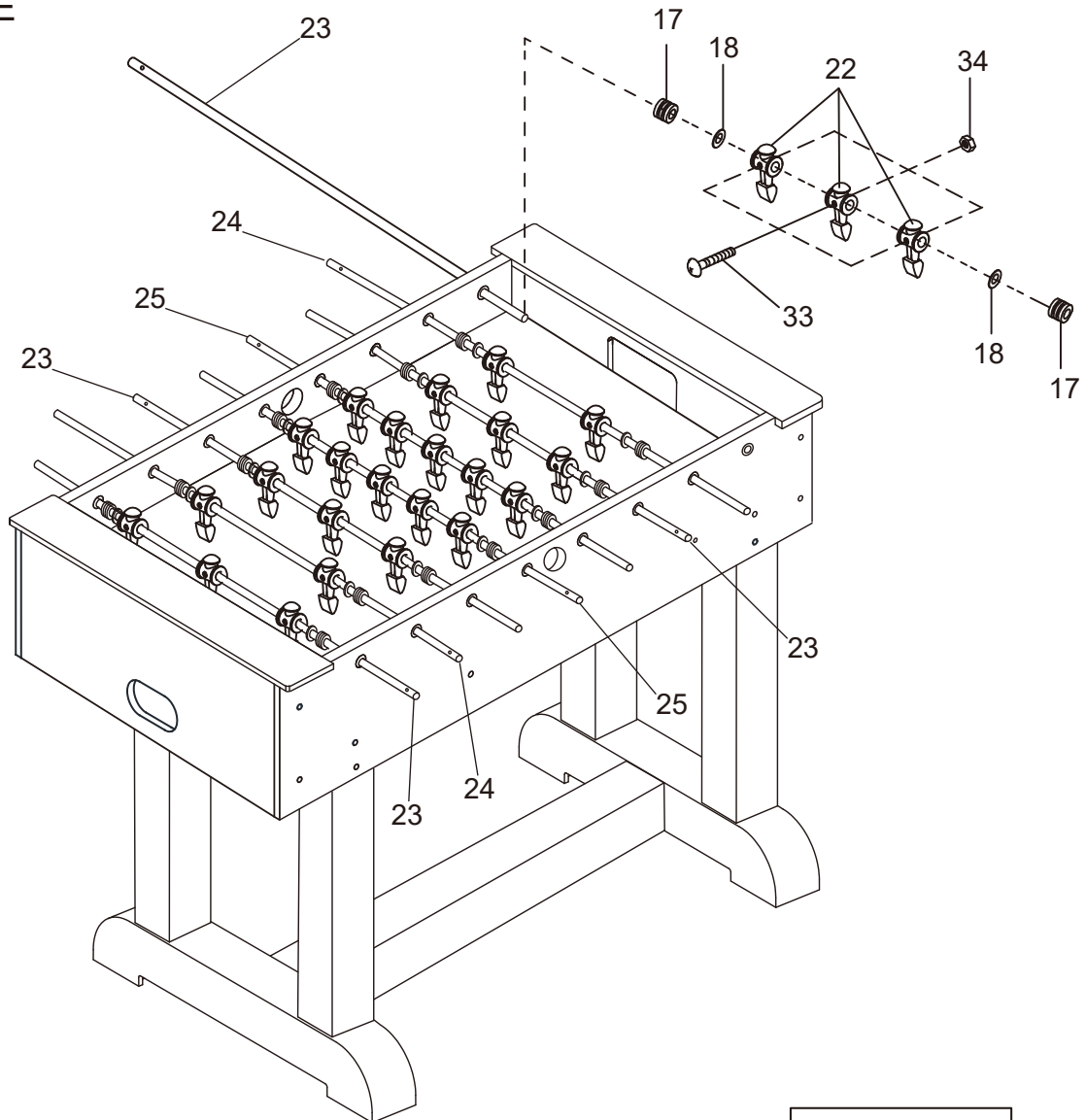
STEP 6D



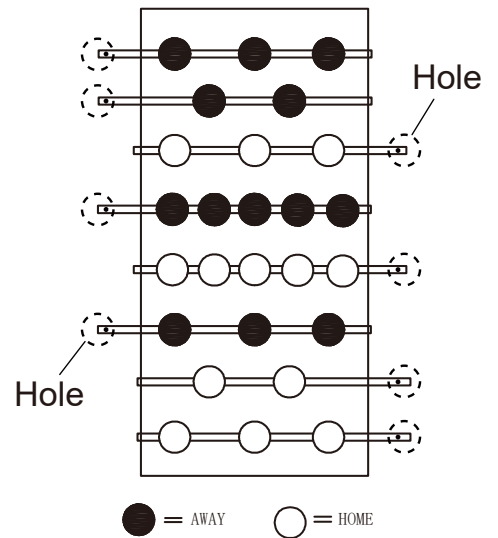
Assembly Instructions

WARNING: TWO ADULTS ARE NEEDED TO ASSEMBLE THE SOCCER TABLE

STEP 6E



Insert the rod end part way through one side panel, and then place the rest of the parts needed on each rod, in the order shown, before inserting through the other side panel.

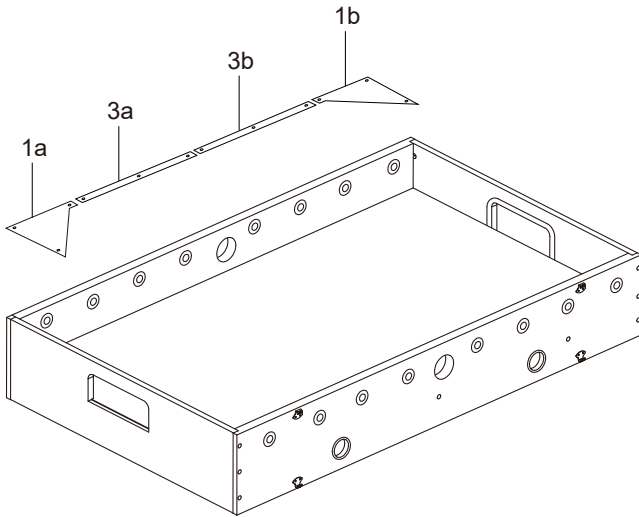


Assembly Instructions

WARNING: TWO ADULTS ARE NEEDED TO ASSEMBLE THE SOCCER TABLE

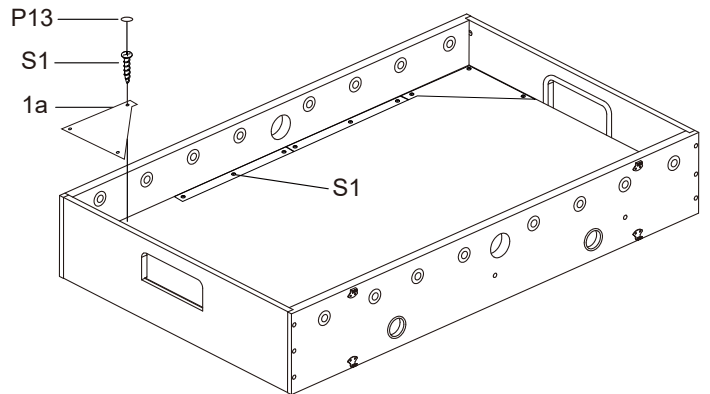
STEP 7A

Steps 7A to 7E are optional if you want.



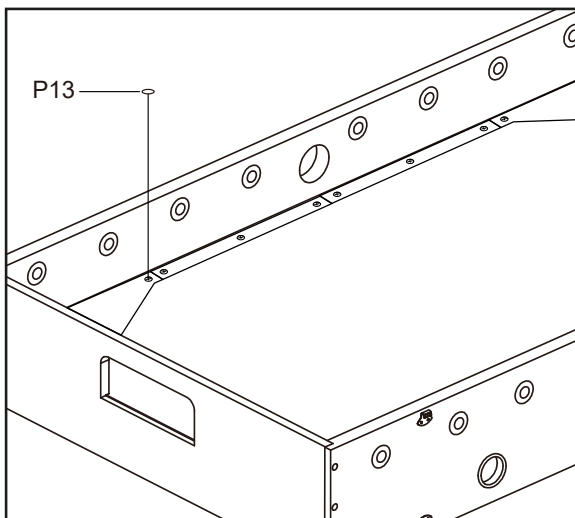
STEP 7B

Attach the plastic 1a, 1b, 3a, 3b to the playing field with S1.

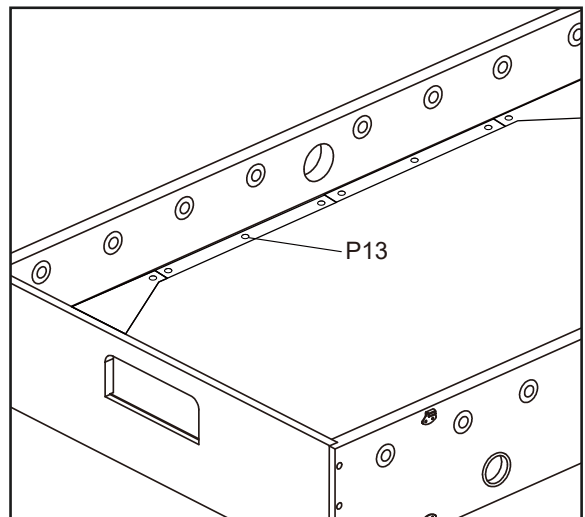


STEP 7C

Cover the Screw Hole Cap P13 to the screw hole.



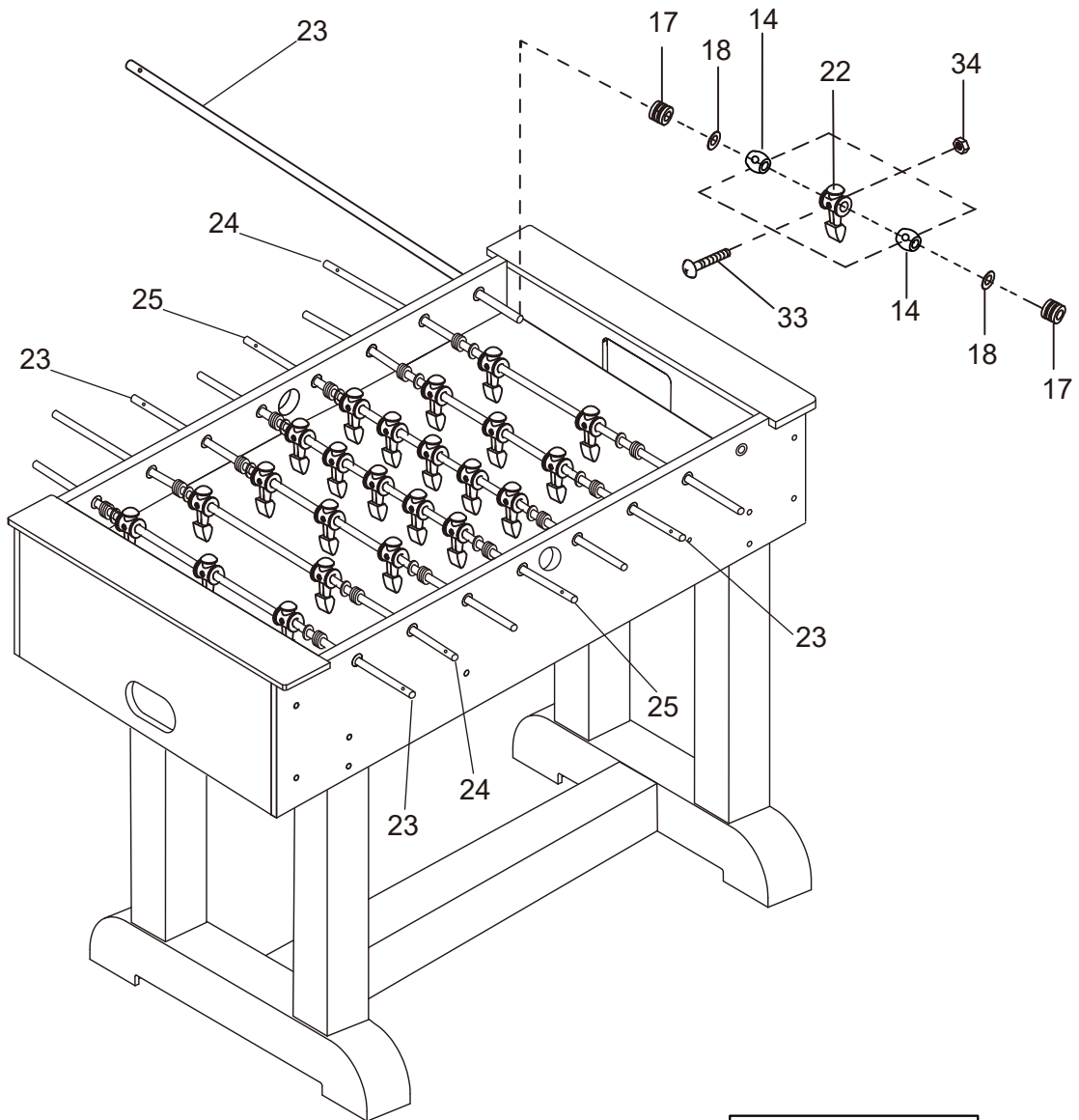
STEP 7D



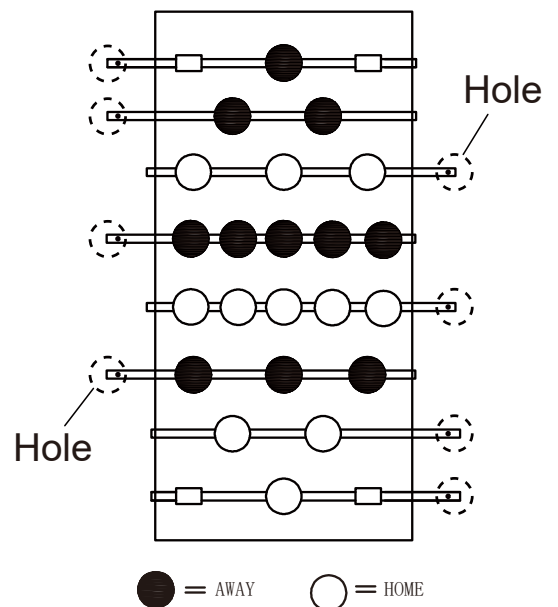
Assembly Instructions

WARNING: TWO ADULTS ARE NEEDED TO ASSEMBLE THE SOCCER TABLE

STEP 7E



Insert the rod end part way through one side panel, and then place the rest of the parts needed on each rod, in the order shown, before inserting through the other side panel.



Assembly Instructions

WARNING: TWO ADULTS ARE NEEDED TO ASSEMBLE THE SOCCER TABLE

STEP 8

